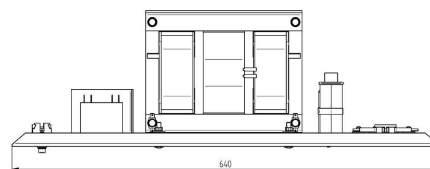


POWER-SUPPLY (LC-STABILIZED) - MC2000B-113AB

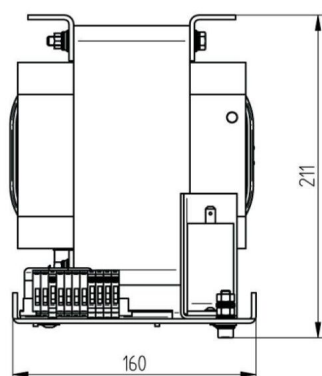
Category: Microwave generators

Outline Dimensions (mm(inch))



BILDERGALERIE

Outline Dimensions (mm(inch))



ADDITIONAL INFORMATION

Typ	Power-Supply
Frequency [MHz]	2450
Output Power CW [W]	2000
Line connection	1~ (L / N / PE)
Control circuit connection [V]	+ / -
Line Voltage [V]	230
Mains voltage control circuit [V]	24
Line Frequency [Hz]	50
Cooling	air
Pulse output power max [W]	-
Front-Panel (HMI)	No Front-Panel, No Front-Panel
Interface	-
Interface 2	-
Interface 3	-
Interface 4	-
Interface 5	-
Width [mm (inch)]	160 (6,30)
Height [mm (inch)]	210 (8,27)
Depth [mm (inch)]	640 (25,20)
Protection Class	IP00
Isolator	No
Power-Supply	LC-stabilized