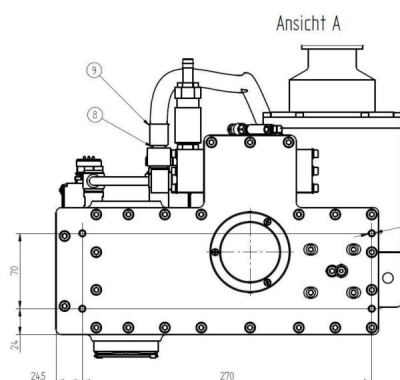
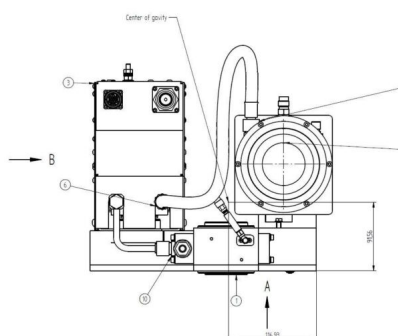
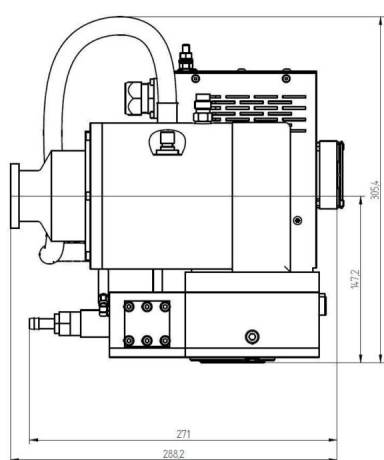


RADICAL PLASMA SOURCE (REMOTE PLASMA SOURCE) - MA3000C-403BB

Category: Plasma components



BILDERGALERIE



ADDITIONAL INFORMATION

Typ	Radical plasma source (Remote Plasma Source)
Process	Etching & Deposition
Output Connection Type	
Dielectric material	Sapphire
Mains voltage nominal [V]	230 / 208
Output Power CW [W]	3000
Frequency [MHz]	2450