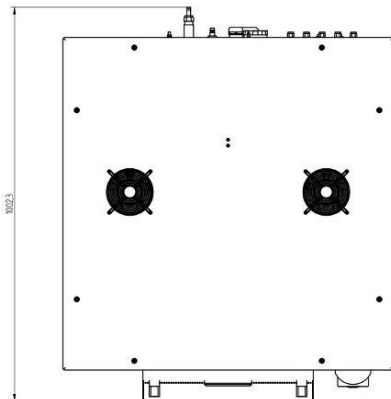
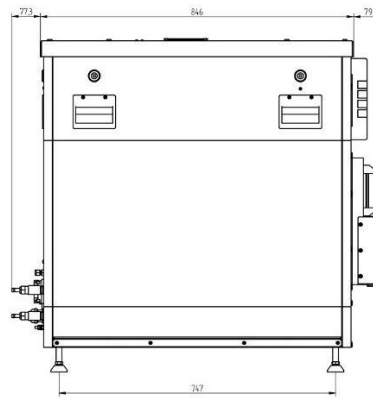
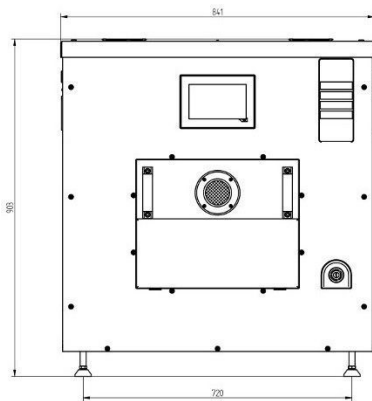


# STRIPPING-TOOL - MA1250D-112BB

Category: Plasma systems



## BILDERGALERIE



## ADDITIONAL INFORMATION

<b>Typ</b>	Stripping-Tool
<b>Type of tool</b>	R&D / Pilot Production Tool
<b>Line Voltage [V]</b>	400
<b>Process gas 1</b>	O2
<b>Process gas 2</b>	CF4
<b>Process gas 3</b>	N2
<b>Process gas 4</b>	-
<b>Process gas 5</b>	-
<b>Process gas 6</b>	-
<b>Product Temperature sensors</b>	2
<b>Chamber size [mm (inch)]</b>	245 x 245 (9.65 x 9.65)