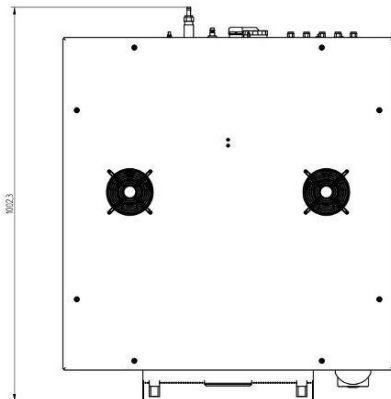
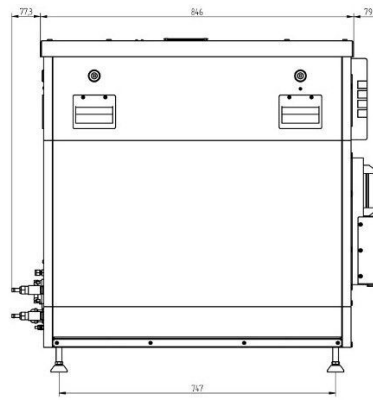
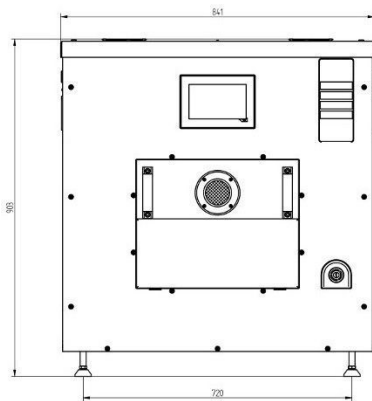


STRIPPING-TOOL - MA1250D-115BB

Category: Plasma systems



BILDERGALERIE



ADDITIONAL INFORMATION

Typ	Stripping-Tool
Type of tool	R&D / Pilot Production Tool
Line Voltage [V]	208
Process gas 1	O2
Process gas 2	N2
Process gas 3	N2
Process gas 4	-
Process gas 5	-
Process gas 6	-
Product Temperature sensors	2
Chamber size [mm (inch)]	245 x 245 (9.65 x 9.65)