

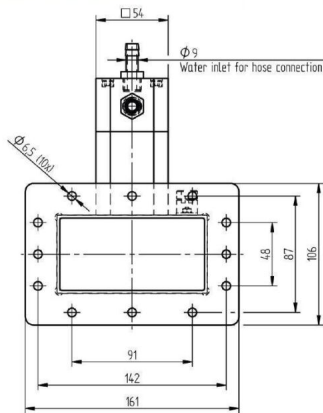
WASSERLAST - MW1021E-230DF

Category: Waveguide components

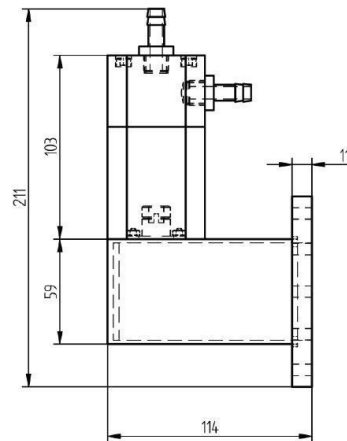


BILDERGALERIE

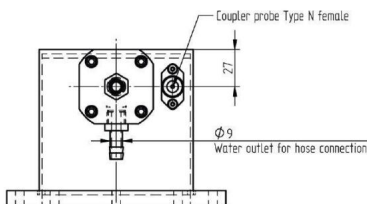
Outline Dimensions (mm(inch))



Outline Dimensions (mm(inch))



Outline Dimensions (mm(inch))



ADDITIONAL INFORMATION

Frequency [MHz]	2450
Output Power CW [W]	15000
Waveguide size	WR430 / R22
Flange	UDR
Product group	Water load