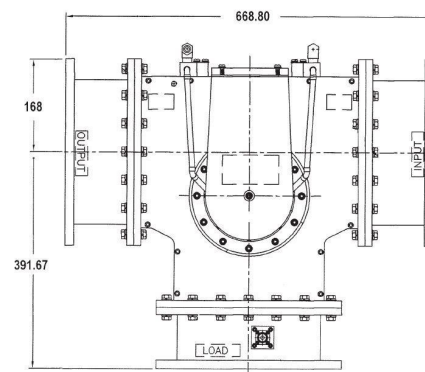


ZIRKULATOR - MW1002B-260CC

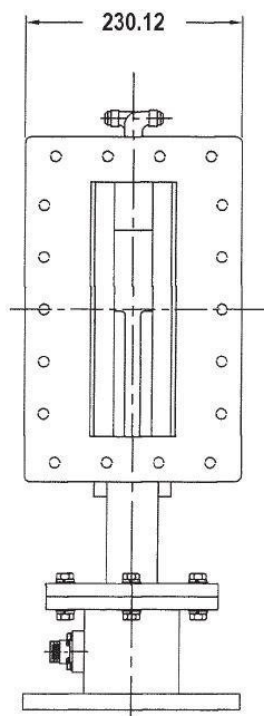
Category: Waveguide components

Outline Dimensions (mm(inch))



BILDERGALERIE

Outline Dimensions (mm(inch))



ADDITIONAL INFORMATION

Frequency [MHz]	896
Output Power CW [W]	100000
Waveguide size	WR975 / R9
Flange	UDR
Product group	Iso- / Circulator