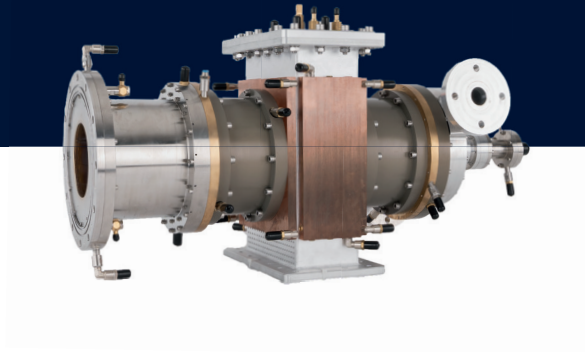


ATMOSPHERIC PLASMA SOURCE (APS) MA075KA-019BF

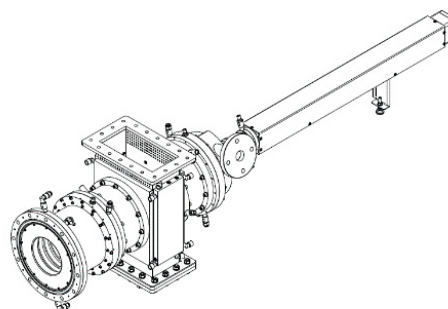
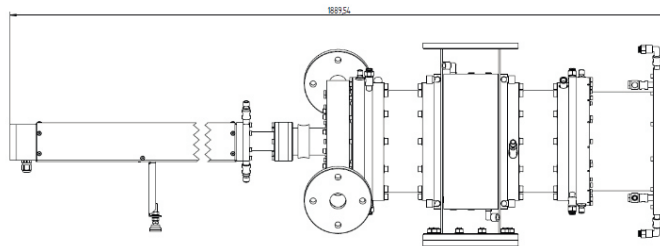
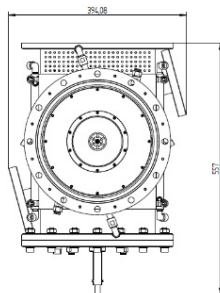
MICROWAVE PLASMA COMPONENTS
(75 KW / 915 MHZ)



Features

- Compact plasma source
- Operation at atmospheric pressure
- Suitable for waste gas decomposition (VOC & FOC)
- For 30 to 75 kW microwave power max.
- Gas-temp.: >3000 K in the centre
- Gas: air, VOCs (halogenated)

Outline Dimensions (mm)



Specifications

Frequency	915 MHz +/-10 MHz
HF-Power	Max. 75 kW
Waveguide	WR 975
Waveguide flange	UDR 9 (18 x M10) prepared for UDR/PDR connection
Reactor outlet	Connection flange: outer diameter Ø 325 mm, inner diameter Ø 115 mm, screw hole circle diameter Ø300 mm, 12x holes with a diameter of Ø 13 mm
Cooling water	Typical 40 l/min, 4.5 bar at 20 °C
Cooling water connectors	1/4" female thread 8x

Igniter	Igniter pressurized cylinder, connection box, pedestal
Igniter compressed air input	compressed air 6 bar, 30 l/min 8 mm tube connection
Material	Aluminum / Brass
Process gas flow radial typical	2 m ³ /min.
Process gas flow axial typical	10 – 15 % of process gas flow radial
Dimensions (L x W x H)	Approx. 1889 mm x 395 mm x 557 mm

Recommended system components

- Microwave power supply e. g. MS075KE-511DL
- Magnetron head e. g. MH075KS-510BU
- Circulator e. g. MW1001B-260CC
- Water load e. g. MW1018E-230CD
- 3-Stub tuner e. g. MW2006A-260CF
- MW-Detector diode e. g. MM1001B-111AB