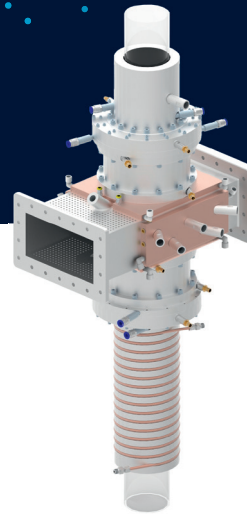


DOWNSTREAM PLASMA SOURCE MA100KD-013BF

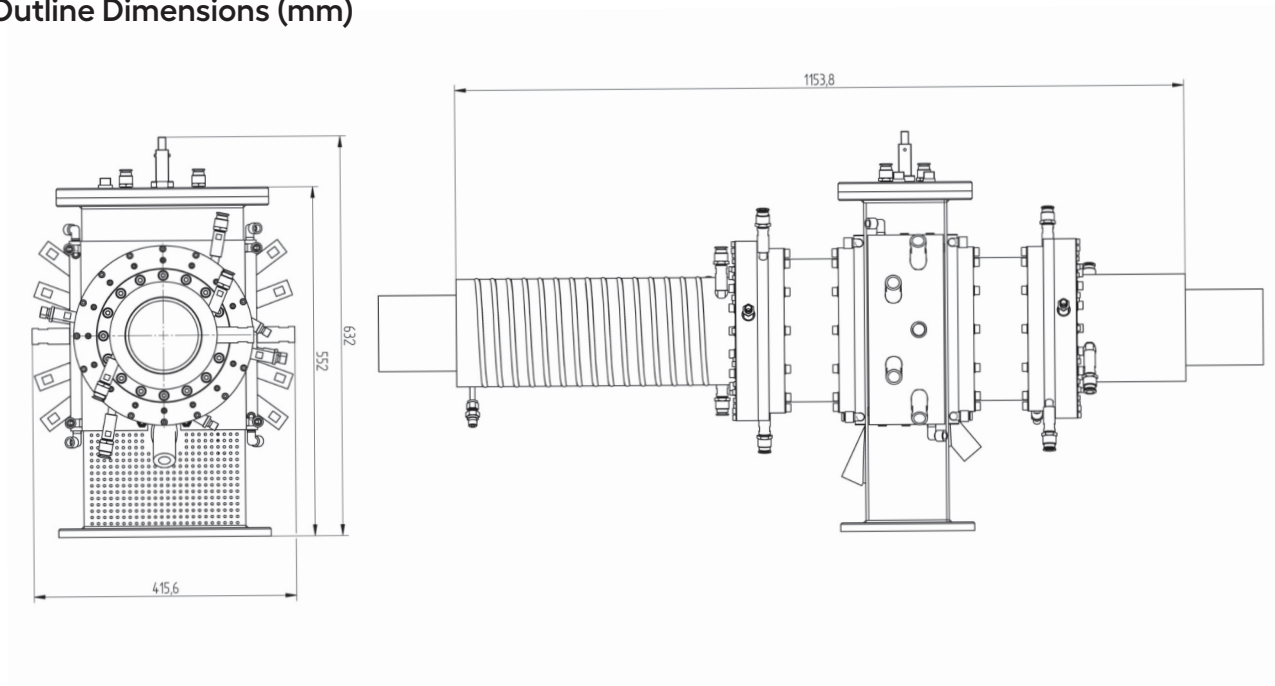
(100 KW / 915 MHZ)



Features

- Compact plasma source
- Operation at low pressure
- Natural gas conversion
- Suitable for waste gas decomposition (VOC & FOC)
- For 30 to 100 kW microwave power max.
- Gas: e.g. methane, VOCs (halogenated)

Outline Dimensions (mm)



Specifications

Frequency	915 MHz
MW capacity (CW / impulse)	10 kW - 100 kW / -
Waveguide	WR 975 / R9
Cooling water	≥ 6 l/min. (per connection), 4.5 bar max. at 20 - 25 °C
Cooling water connectors	8 x G1/4" / 2 x G3/8"

Process	Gas- /Material Transformation
Compressed Air	6 bar flow, typical 400 l/min
Weight in kg	90
Dimensions (L x W x H)	1154 x 632 x 416 mm

Recommended system components

- Microwave power supply e.g. MS100KE-512DE
- Magnetron head e.g. MH100KS-510BU
- Circulator e.g. MW1001B-260CC
- Water load e.g. MW1018E-230CD
- 3-Stub tuner e.g. MW2006A-260CF
- MW-Detector diode e.g. MM1001B-111AB