

# ATMOSPHERIC PLASMA SOURCE (APS) MA6000A-013BB

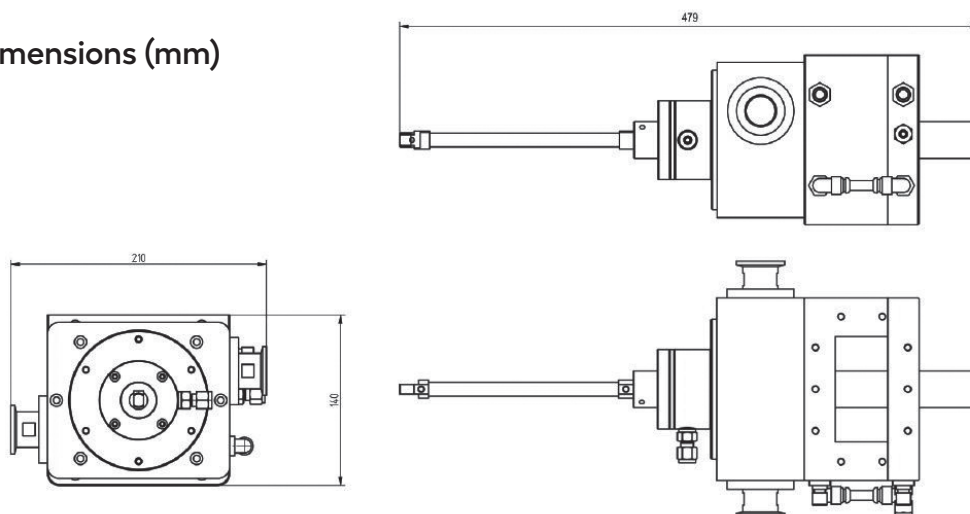
MICROWAVE PLASMA COMPONENTS  
(6 KW / 2450 MHZ)



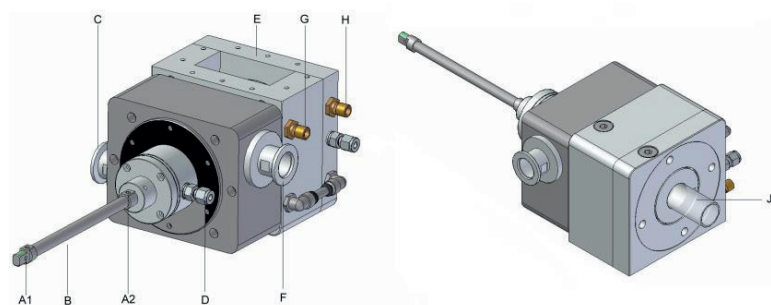
## Features

- Compact plasma source
- Operation at atmospheric pressure
- Suitable for waste gas decomposition (VOC & FOC)
- For 6 kW microwave power max.
- Gas-temp.: >3000 K in the centre
- Gas: Air, VOCs (halogenated)

## Outline Dimensions (mm)



## Connectors



## Specifications

|                    |  |
|--------------------|--|
| Frequency          | 2450 MHz +/- 20 MHz                                      |
| HF-Power           | Max. 6 kW  |
| Waveguide          | WR 340   |
| Waveguide flange   | UDR 26 (10 x M6) [E]                                     |
| Reactor outlet     | Quartz tube, $\phi$ 30 mm x 1,5 mm x 200 mm [J = output] |
| Cooling water      | Min. 4 l/min, 4,5 bar at 20 °C                           |
| Cooling connectors | Check valve G ¼" x 9 mm [G = input, H = output]          |

|                                 |   |
|---------------------------------|---|
| Igniter                         | Igniter pressurized cylinder [B]  |
| Igniter compressed air input    | Input A1: igniter in, input A2: igniter out [compressed air 6 bar]                |
| Material                        | Aluminum / Brass  |
| Process gas flow radial typical | Threaded connector KF DN25-G 1" [100 – 200 L/min] [C, F]                          |
| Process gas flow axial typical  | Stainless hose fitting SS-6MO-1-2RP [D = Input] [volume up to 15 % of radial gas] |
| Dimensions (L x W x H)          | Approx. 479 mm x 210 mm x 140 mm  |
| Options                         | High pressure operation (3 bar)   |

## Recommended system components

- Microwave power supply e.g. MX6000D-154KL
- Magnetron head e.g. MH6000S-250BF
- 3-Stub tuner e.g. MW2010A-260EF
- MW-Detector diode e.g. MM1001B-111AB