

# MW-POWER SUPPLY MX6000D-154KL

MICROWAVE SWITCH-MODE POWER SUPPLY

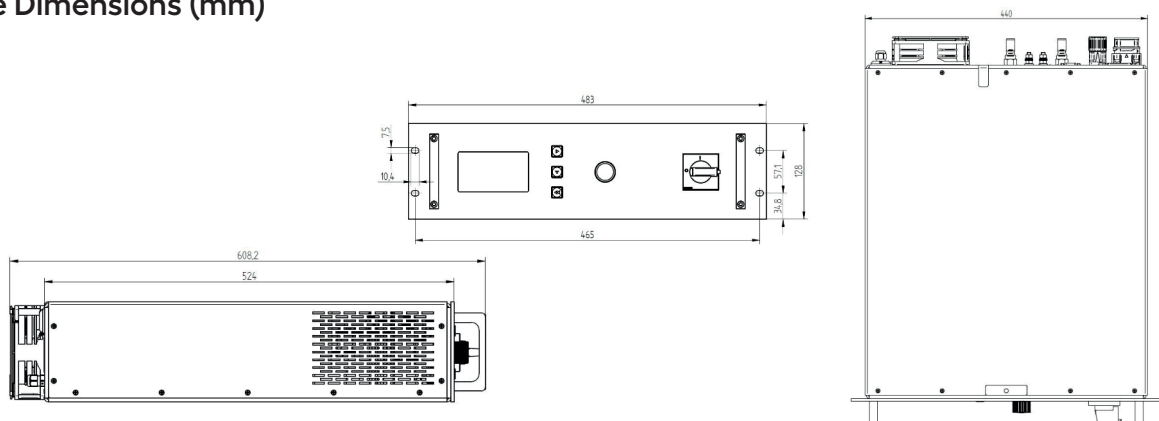


MUEGGE's MX-Series of switch-mode power supplies offers a cost-competitive, highly reliable and customizable power source for demanding industrial heating and plasma technology applications.

## Features

- Switched power supply 6000 W
- Ethernet interface for web interface and Equipment Cloud
- Suitable for 6000 W cw HF output power
- Optional for - W pulse HF output power
- Suitable for magnetrons: E3327 and PM60
- Mains voltage: 400 V AC / 3~ (L1 / L2 / L3 / PE)
- Control voltage: 208 / 230 V AC / 2~ (L1 / L2 / PE) / 1~ (L / N / PE)
- Type of cooling: Air / Water
- High efficiency
- Low weight & compact design, 19" single rack construction
- Low interference emissions / high interference immunity
- Overvoltage and overcurrent protection, protection against idle running, overload and short circuit resistance
- Stabilized output power
- Prepared for operation with a magnetron head 6000 W / 2450 MHz
- Interfaces: front display and Can-Bus, A/D, -
- Integrated ARC monitoring
- Human-machine interface (HMI): Control unit with main switch

## Outline Dimensions (mm)



## Specifications

<b>Mains voltage</b>	400 V AC, 3~(L1 / L2 / L3 / PE), 50 / 60 Hz, 14,4 A
<b>Mains leakage current</b>	< 0,4 mA @ 480 V AC / 50 Hz
<b>Control voltage</b>	208 / 230 V AC, 2~ (L1 / L2 / PE) / 1~ (L / N / PE), 60 / 50 Hz, 2,5 A
<b>For MW aoutput power</b>	6000 W cw @ 2450 MHz
<b>Efficiency</b>	Approximately 90 % at full output power
<b>Interface</b>	Front display, Can-Bus, A/D, -

<b>Assembly</b>	Completely enclosed aluminium housing
<b>Cooling</b>	Air / Water: ≥ 4 (1,06) l/min (US gal/min), ≤ 4 (58,02) bar (psi) @ 20 - 25 (68 - 77) °C (°F)
<b>Operating conditions</b>	5 °C (41 °F) – 45 °C (113 °F) non-condensing T max. = 45 °C (113 °F) < 3 h / day 80 % to 30 °C (86 °F), above linearly reduced to 50 % at 45 °C (113 °F)
<b>Weight</b>	Approx. 23 (50,71) kg (lbs)
<b>Dimension</b>	19" rack-mount system Width: 484 (19,06) mm (inch) Height: 128 (5,04) mm (inch) Depth: 607 (23,90) mm (inch)

## Recommended system components

- MH-series magnetron head, e.g. MH6000S-250BF
- MH-series magnetron head, e.g. MH6000S-251BF

## Options

- More interfaces available e.g. Profibus, Profinet, Ethernet IP etc.
- Mains voltage: 3 x 480 VAC
- Mains voltage: 3 x 208 VAC
- Pulse capability: up to 10 kW
- Pulse frequency: up to 2 kHz